

VÉRIN HYDRAULIQUE STANDARD

STANDARD HYDRAULIC CYLINDER

HYDRAULIKZYLINDER STANDARD



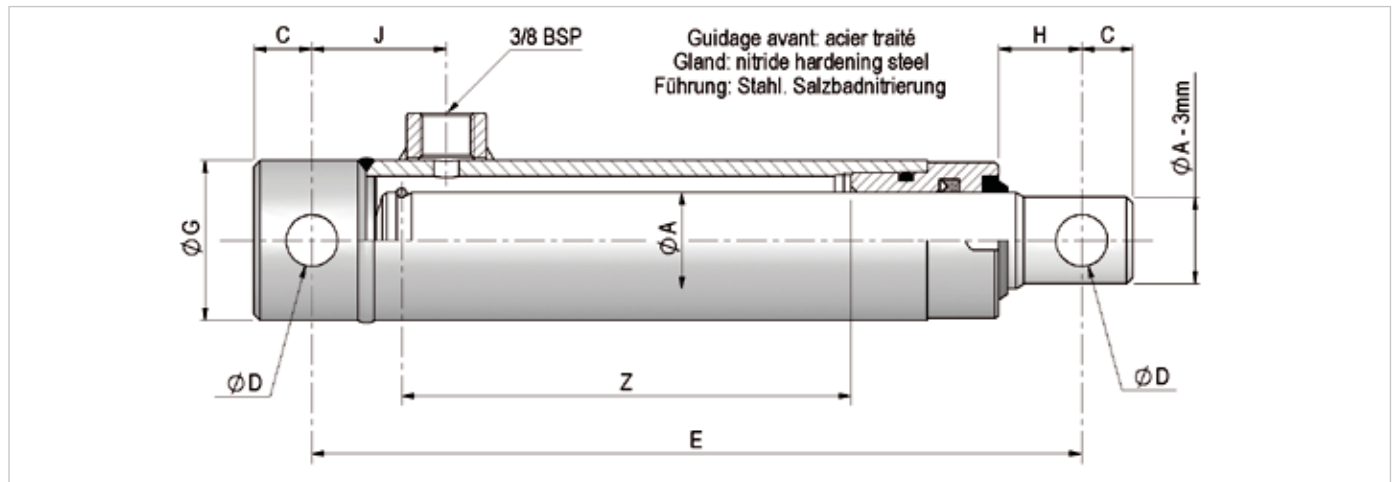
A
VÉRIN HYDRAULIQUE / STANDARD HYDRAULIC CYLINDER / HYDRAULIKZYLINDER STANDARD

VÉRIN HYDRAULIQUE STANDARD

STANDARD HYDRAULIC CYLINDER
HYDRAULIKZYLINDER STANDARD

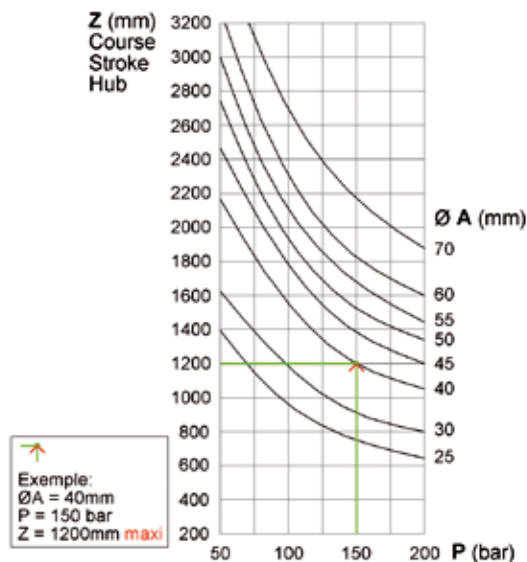
VÉRIN SIMPLE EFFET

SINGLE-ACTING CYLINDER - EINFACHWIRKENDER ZYLINDER

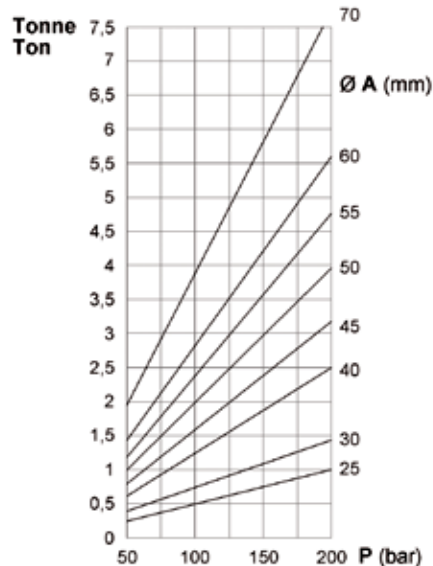


Ref. Artikel	ϕA	Z Course Stroke Hub	C	D	E	G	H	J	Vol. (Ltr)	Poids (Kg) Weight Gewicht
625/10	25	100	14	14.2	190	40	24	40	0.08	1.5
625/20	25	200	14	14.2	290	40	24	40	0.15	2.3
625/30	25	300	14	14.2	390	40	24	40	0.25	3
630/2	30	200	18	16.2	300	50	26	42	0.25	3.6
630/3	30	300	18	16.2	400	50	26	42	0.35	4.8
630/4	30	400	18	16.2	500	50	26	42	0.45	5.9
630/5	30	550	18	16.2	650	50	26	42	0.65	7.5
630/7	30	700	18	16.2	800	50	26	42	0.80	9.2
640/2	40	200	22	23	330	60	32	47	0.40	5.9
640/250	40	250	22	23	380	60	32	47	0.5	7
640/3	40	300	22	23	430	60	32	47	0.6	7.7
640/4	40	400	22	23	530	60	32	47	0.8	9.3
640/5	40	550	22	23	680	60	32	47	1.1	11.8
640/7	40	700	22	23	830	60	32	47	1.4	14.2

FLAMBAGE
BUCKLING
KNICKLAST

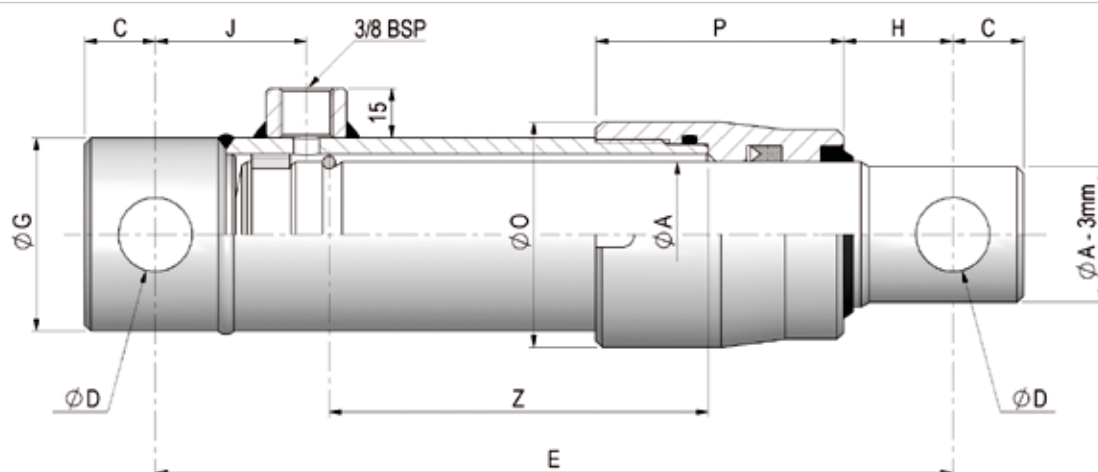


FORCE DE POUSSEE
UPWARD THRUST
DRUCKKRAFT



VÉRIN SIMPLE EFFET GUIDAGE ARRIÈRE

SINGLE-ACTING CYLINDER WITH ROD GUIDE RING - EINFACHWIRKENDER ZYLINDER HINTEN GEFÜHRT

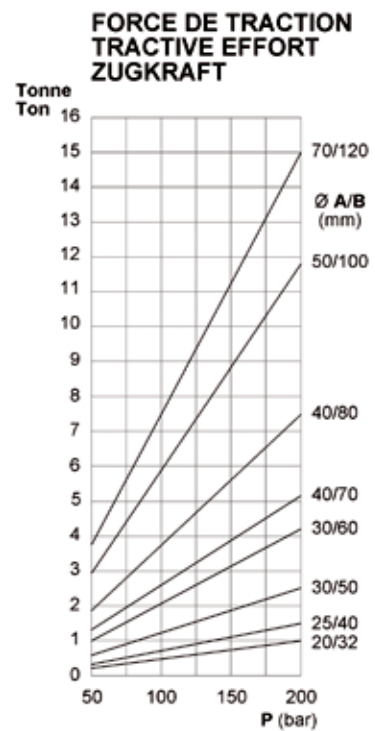
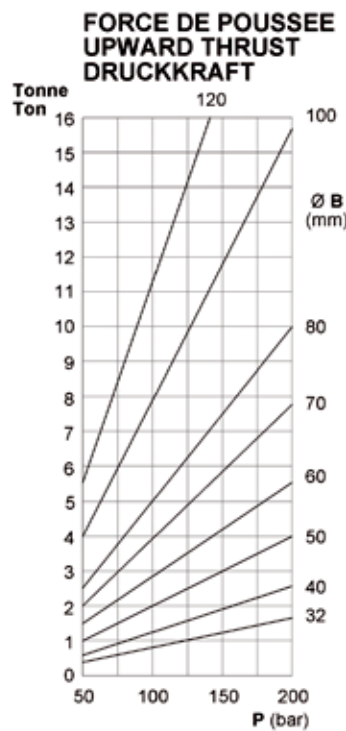
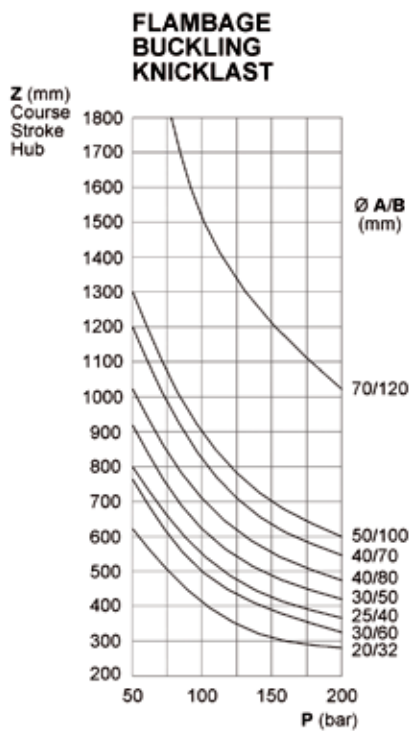
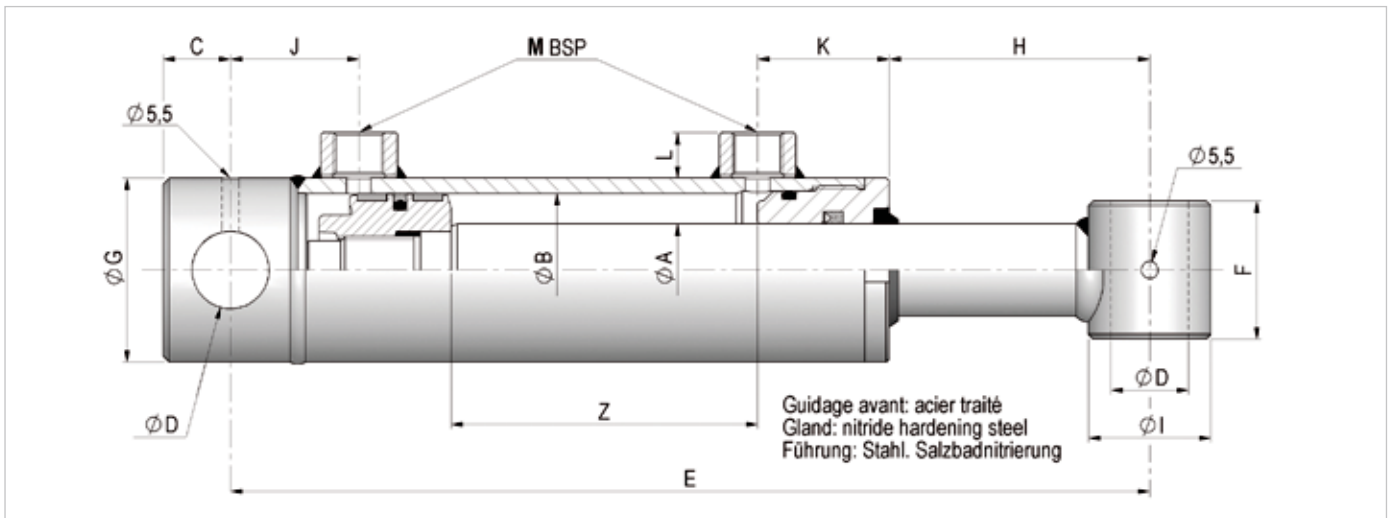


Guidage avant: acier traité ($\varnothing 55$ et plus: 1 bague de guidage supplémentaire sur l'avant)
Gland: nitride hardening steel (From $\varnothing 55$: 1 additional front guide ring)
Führung: Stahl, Salzbadnitrierung (Ab $\varnothing 55$: Ein zusätzliches Führungsband in der Zylinderführung)

Ref. Artikel	ØA	Z Course Stroke Hub	C	D	E	G	H	J	O	P	Vol. (Ltr)	Poids (Kg) Weight Gewicht
645/2	45	200	22	23	330	60	34	47	70	77	0.40	7
645/3	45	300	22	23	430	60	34	47	70	77	0.60	8.9
645/4	45	400	22	23	530	60	34	47	70	77	0.80	10.9
645/5	45	550	22	23	680	60	34	47	70	77	1.10	13.8
645/7	45	700	22	23	830	60	34	47	70	77	1.40	16.6
650/2	50	200	25	25.25	360	65	49	50	75	80	0.50	9
650/3	50	300	25	25.25	460	65	49	50	75	80	0.70	11.2
650/4	50	400	25	25.25	560	65	49	50	75	80	0.95	13.5
650/5	50	550	25	25.25	710	65	49	50	75	80	1.30	16.9
650/7	50	700	25	25.25	860	65	49	50	75	80	1.65	20.3
655/3	55	300	25	25.25	460	70	41	50	85	95	0.85	13.5
655/5	55	550	25	25.25	710	70	41	50	85	95	1.55	20.2
655/7	55	700	25	25.25	860	70	41	50	85	95	2.00	24.1
660/2	60	200	25	25.25	360	75	36	50	90	95	0.65	12.7
660/3	60	300	25	25.25	460	75	36	50	90	95	1.00	15.7
660/4	60	400	25	25.25	560	75	36	50	90	95	1.35	18.6
660/5	60	550	25	25.25	710	75	36	50	90	95	1.85	23.4
660/7	60	700	25	25.25	860	75	36	50	90	95	2.35	28
670/3	70	300	30	30.25	509	85	66	55	100	95	1.35	22.5
670/4	70	400	30	30.25	609	85	66	55	100	95	1.75	26.5
670/5	70	500	30	30.25	709	85	66	55	100	95	2.15	30.5

VÉRIN DOUBLE EFFET

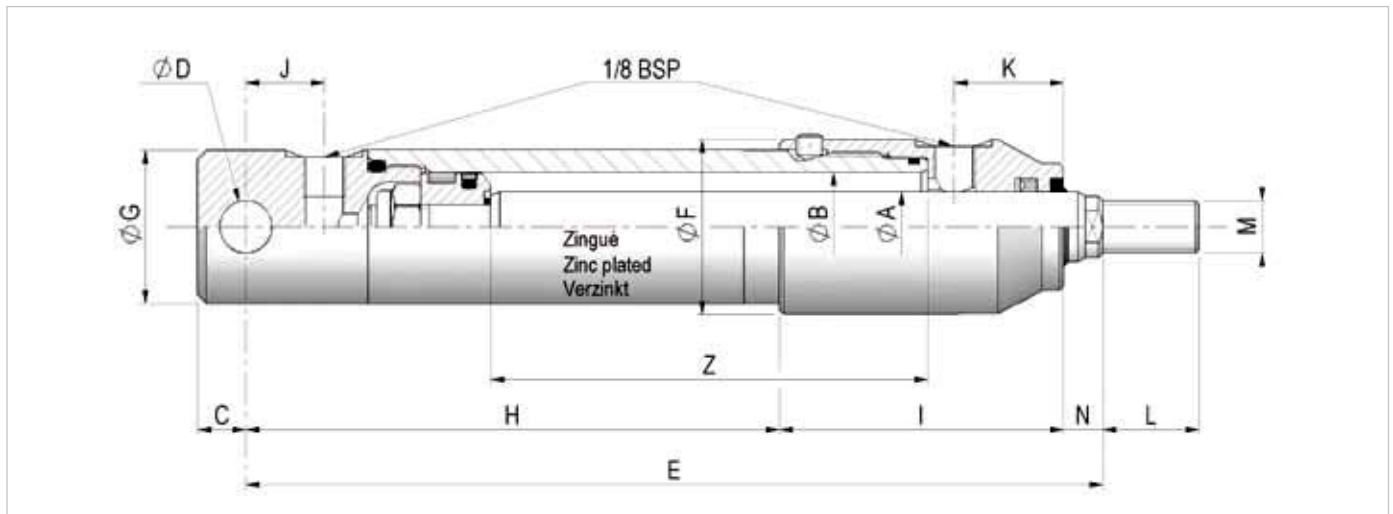
DOUBLE-ACTING CYLINDER - DOPPELTWIRKENDER ZYLINDER



Ref. Artikel	ØA	ØB	Z Course Stroke Hub	C	D	E	F	G	H	I	J	K	L	M	Vol. (Ltr)	Poids (Kg) Weight Gewicht
700/05	20	32	50	14	16.2	205	35	40	61	30	32	35	13	1/4	0.05	1.7
700/10	20	32	100	14	16.2	255	35	40	61	30	32	35	13	1/4	0.10	2
700/15	20	32	150	14	16.2	305	35	40	61	30	32	35	13	1/4	0.13	2.3
700/20	20	32	200	14	16.2	355	35	40	61	30	32	35	13	1/4	0.17	2.6
700/30	20	32	300	14	16.2	455	35	40	61	30	32	35	13	1/4	0.25	3.2
700/400	20	32	400	14	16.2	555	35	40	61	30	32	35	13	1/4	0.32	3.6
700/500	20	32	500	14	16.2	655	35	40	61	30	32	35	13	1/4	0.4	4.2
700/600	20	32	600	14	16.2	755	35	40	61	30	32	35	13	1/4	0.48	4.8
700/700	20	32	700	14	16.2	855	35	40	61	30	32	35	13	1/4	0.56	5.3
701/1	25	40	100	18	20.25	270	40	50	65	35	38	40	15	3/8	0.15	2.9
701/2	25	40	200	18	20.25	370	40	50	65	35	38	40	15	3/8	0.25	3.8
701/3	25	40	300	18	20.25	470	40	50	65	35	38	40	15	3/8	0.40	4.8
701/4	25	40	400	18	20.25	570	40	50	65	35	38	40	15	3/8	0.50	5.7
701/5	25	40	500	18	20.25	670	40	50	65	35	38	40	15	3/8	0.65	6.6
701/600	25	40	600	18	20.25	770	40	50	65	35	38	40	15	3/8	0.75	7.6
701/700	25	40	700	18	20.25	870	40	50	65	35	38	40	15	3/8	0.88	9
701/800	25	40	800	18	20.25	970	40	50	65	35	38	40	15	3/8	1.00	9.5
701/1000	25	40	1000	18	20.25	1170	40	50	65	35	38	40	15	3/8	1.25	11
702/1	30	50	100	22	25.25	300	45	60	85	40	42	43	15	3/8	0.20	4.4
702/150	30	50	150	22	25.25	350	45	60	85	40	42	43	15	3/8	0.30	4.7
702/2	30	50	200	22	25.25	400	45	60	85	40	42	43	15	3/8	0.40	5.7
702/3	30	50	300	22	25.25	500	45	60	85	40	42	43	15	3/8	0.60	6.9
702/4	30	50	400	22	25.25	600	45	60	85	40	42	43	15	3/8	0.80	8.1
702/5	30	50	500	22	25.25	700	45	60	85	40	42	43	15	3/8	1.00	9.3
702/6	30	50	600	22	25.25	800	45	60	85	40	42	43	15	3/8	1.20	10.6
702/7	30	50	700	22	25.25	900	45	60	85	40	42	43	15	3/8	1.40	11.9
702/800	30	50	800	22	25.25	1000	45	60	85	40	42	43	15	3/8	1.57	13.2
702/900	30	50	900	22	25.25	1100	45	60	85	40	42	43	15	3/8	1.78	15
702/1000	30	50	1000	22	25.25	1200	45	60	85	40	42	43	15	3/8	2.00	15.4
703/1	30	60	100	22	25.25	300	45	70	83	40	42	45	15	3/8	0.30	5.5
703/2	30	60	200	22	25.25	400	45	70	83	40	42	45	15	3/8	0.60	6.9
703/3	30	60	300	22	25.25	500	45	70	83	40	42	45	15	3/8	0.90	8.2
703/4	30	60	400	22	25.25	600	45	70	83	40	42	45	15	3/8	1.15	9.6
703/5	30	60	500	22	25.25	700	45	70	83	40	42	45	15	3/8	1.45	11
703/6	30	60	600	22	25.25	800	45	70	83	40	42	45	15	3/8	1.75	12.2
703/7	30	60	700	22	25.25	900	45	70	83	40	42	45	15	3/8	2.00	13.6
704/2	40	70	200	28	30.25	410	55	80	82	50	47	49	15	3/8	0.85	10
704/3	40	70	300	28	30.25	510	55	80	82	50	47	49	15	3/8	1.20	12
704/4	40	70	400	28	30.25	610	55	80	82	50	47	49	15	3/8	1.60	14
704/5	40	70	500	28	30.25	710	55	80	82	50	47	49	15	3/8	2.00	16
704/6	40	70	600	28	30.25	810	55	80	82	50	47	49	15	3/8	2.35	18
704/7	40	70	700	28	30.25	910	55	80	82	50	47	49	15	3/8	2.75	20
704/800	40	70	800	28	30.25	1010	55	80	82	82	47	49	15	3/8	3.00	23
704/1000	40	70	1000	28	30.25	1210	55	80	82	50	47	49	15	3/8	3.84	26
705/2	40	80	200	28	30.25	410	55	90	70	50	47	54	15	3/8	1.10	12.3
705/3	40	80	300	28	30.25	510	55	90	70	50	47	54	15	3/8	1.60	14.1
705/4	40	80	400	28	30.25	610	55	90	70	50	47	54	15	3/8	2.10	16.3
705/5	40	80	500	28	30.25	710	55	90	70	50	47	54	15	3/8	2.60	18.4
705/6	40	80	600	28	30.25	810	55	90	70	50	47	54	15	3/8	3.10	20.3
705/7	40	80	700	28	30.25	910	55	90	70	50	47	54	15	3/8	3.60	22,5
706/3	50	100	300	28	30.25	525	70	115	75	60	47	60	20	1/2	2.50	25
706/4	50	100	400	28	30.25	625	70	115	75	60	47	60	20	1/2	3.30	28.5
706/5	50	100	500	28	30.25	725	70	115	75	60	47	60	20	1/2	4.10	32
706/7	50	100	700	28	30.25	925	70	115	75	60	47	60	20	1/2	5.65	39.1
706/9	50	100	900	28	30.25	1125	70	115	75	60	47	60	20	1/2	7.25	46.1
707/5	70	120	500	40	40.5	770	80	140	55	80	65	82	20	1/2	5.90	60
707/10	70	120	1000	40	40.5	1270	80	140	55	80	65	82	20	1/2	11.55	90

MICRO VÉRIN DOUBLE EFFET

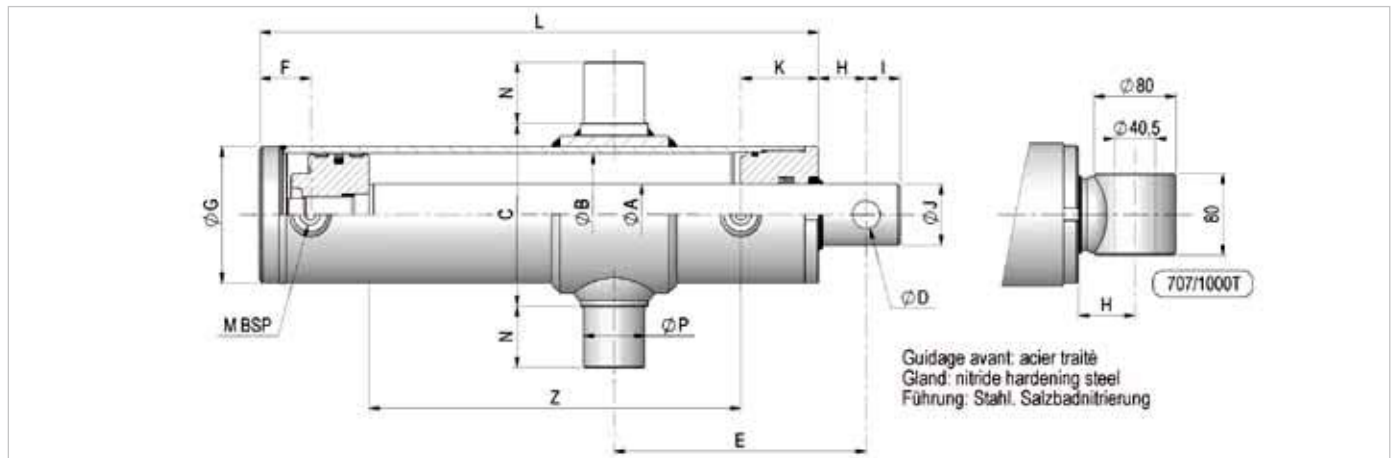
DOUBLE-ACTING MICRO CYLINDER - DOPPELTWIRKENDER MIKROZYLINDER



Ref. Artikel	ØA	ØB	Z Course Stroke Hub	C	D	E	F	G	H	I	J	K	L	M	N	Vol. (Ltr)	Poids (Kg) Weight Gewicht
71220/25	12	20	25	9	10	118	35	28	47	60	15	23.5	18	M10	11	12	0.58
71220/50	12	20	50	9	10	143	35	28	72	60	15	23.5	18	M10	11	20	0.66
71220/80	12	20	80	9	10	173	35	28	102	60	15	23.5	18	M10	11	29	0.76
71625/50	16	25	50	11	12	146	40	35	72	65	18	25	22	M12	9	31	0.94
71625/100	16	25	100	11	12	196	40	35	122	65	18	25	22	M12	9	56	1.22
71625/150	16	25	150	11	12	246	40	35	172	65	18	25	22	M12	9	80	1.5
71625/200	16	25	200	11	12	296	40	35	222	65	18	25	22	M12	9	105	1.78

VÉRIN DOUBLE EFFET À TOURILLONS TYPE «FENDEUSE»

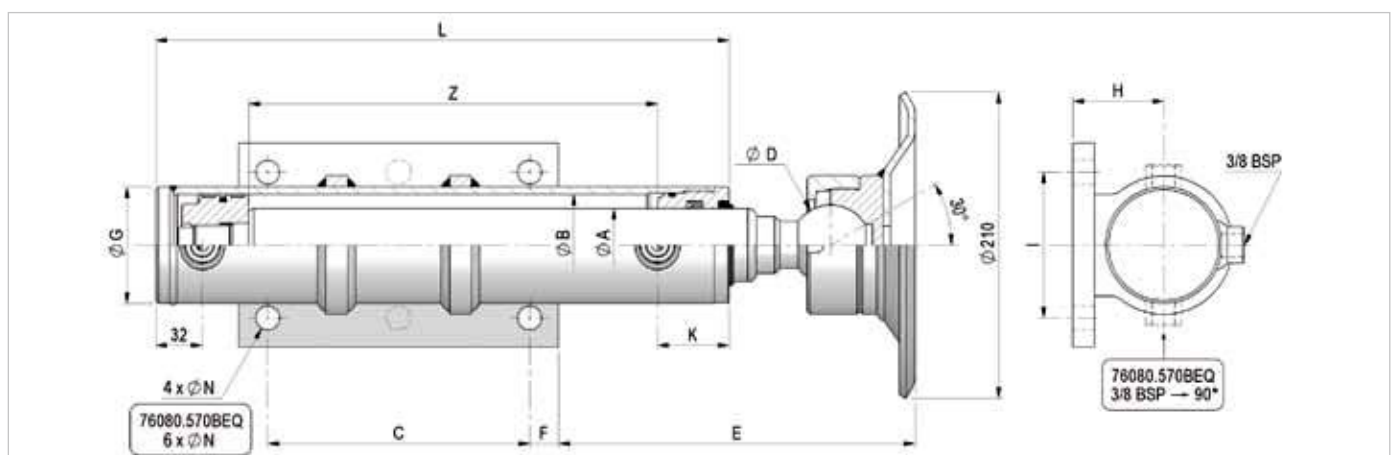
“WOOD SPLITTER” DOUBLE-ACTING TRUNNION-MOUNTED CYLINDER - DOPPELTWIRKENDER ZYLINDER «HOLZSPALTER»



Ref. Artikel	ØA	ØB	Z Course Stroke Hub	C	D	E	F	G	H	I	J	K	L	M	N	P	Vol. (Ltr)	Poids (Kg) Weight Gewicht
74590/700T	45	90	700	135	20.5	185	37	100	35	25	45	64	851	3/8	45	45	4.6	28
74590/1000T	45	90	1000	135	20.5	185	37	100	35	25	45	64	1151	3/8	45	45	6.5	35
706/1000T	50	100	1000	151	25.5	280	42	115	44	30	48	60	1145	1/2	50	50	8.0	50
706/1100T	50	100	1100	151	25.5	280	42	115	44	30	48	60	1245	1/2	50	50	8.6	56
760100/1000T	60	100	1000	151	25.5	280	42	115	44	30	58	60	1145	1/2	50	50	8.0	57
760110.1100T	60	110	1100	170	25.5	280	42	125	44	30	48	70	1255	1/2	50	50	10.5	67
770100/1000T	70	100	1000	151	25.5	280	42	115	44	30	68	60	1145	1/2	50	50	8.0	66
707/1000T	70	120	1000	191		280	50	140	55			82	1200	1/2	50	50	11.5	92

VÉRIN DOUBLE EFFET BÉQUILLE

DOUBLE-ACTING CYLINDER CRUTCH - DOPPELTWIRKENDER STÜTZZYLINDER

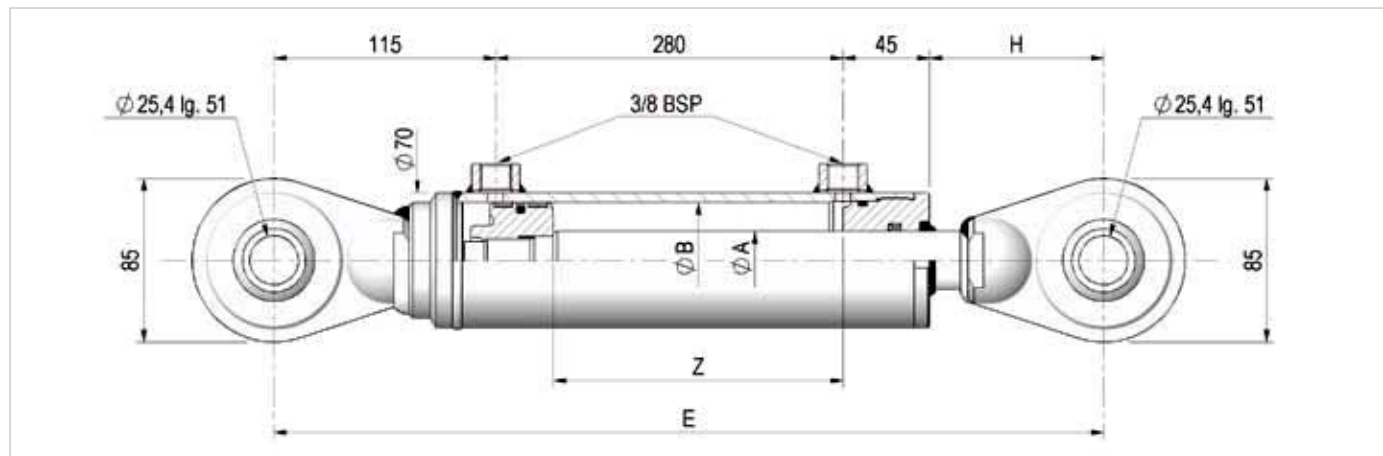


Ref. Artikel	ØA	ØB	Z Course Stroke Hub	C	D	E	F	G	H	I	K	L	N	Vol. (Ltr)	Poids (Kg) Weight Gewicht
75070/420BEQ	50	70	420	180	Ø55	384	20	Ø80	67.5	100	49	533	Ø16.5	1.6	23
76080/570BEQ	60	80	570	190	Ø66	246	15	Ø90	80	90	54	695	Ø15	2.9	34

VÉRIN 3^{ÈME} POINT DOUBLE EFFET

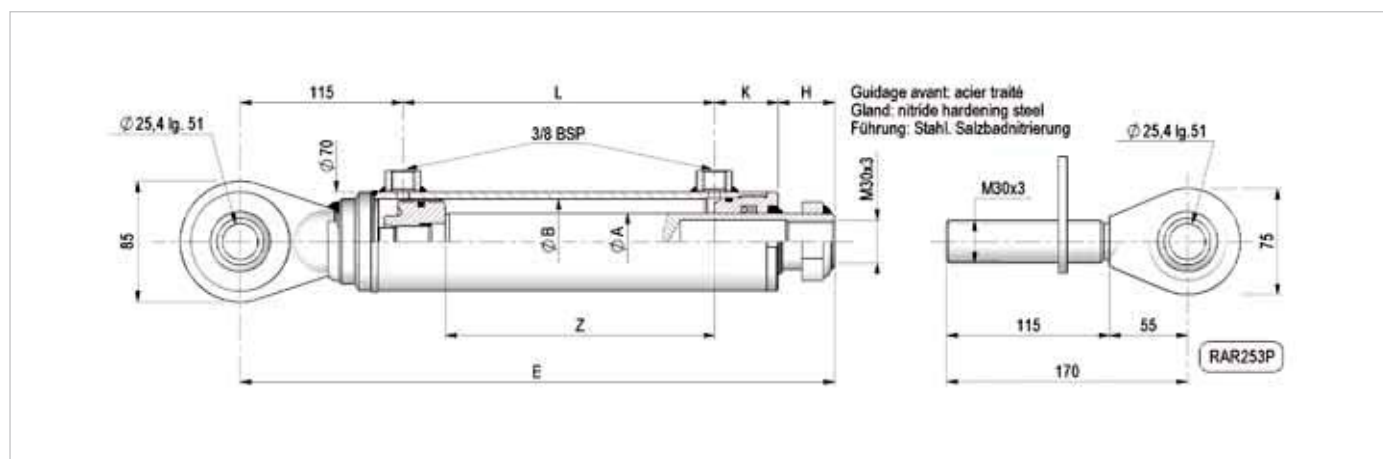
DOUBLE-ACTING TOP LINK CYLINDER - OBERLENKER

736



Ref. Artikel	ØA	ØB	Z Course Stroke Hub	E	H	Vol. (Ltr)	Poids (Kg) Weight Gewicht
736/B	30	60	250	530	90	0.75	9.8

746 - 747



Ref. Artikel	ØA	ØB	Z Course Stroke Hub	E	G	H	K	L	Vol. (Ltr)	Poids (Kg) Weight Gewicht
RAR253P										1.5
746/B1	40	60	250	480	70	40	45	280	0.75	8.9
746/C1	40	60	300	530	70	40	45	330	0.90	9.8
747/B1	45	70	250	485	80	39	49	282	1.00	11.2
747/C1	45	70	300	535	80	39	49	332	1.20	12.3